

HEAVY DUTY

HAND PALLET TRUCK

DOWN WITH HARD WORK

The Heavy Duty (C8) is the logical choice for your toughest tasks. It features an extended load capacity of 8,000 lbs., a reinforced frame, solid steel wheels, rollers and a heavy duty hydraulic pump, making it a force to be reckoned with in any environment.



LIFFRITE
KEEPS YOU MOVING



HEAVY DUTY

HAND PALLET TRUCK

FOR ORDERS OR INQUIRIES CALL 1.800.558.6012 OR EMAIL HPTORDERS@LIFTRITE.COM

FLEXIBILITY

With a reinforced frame, handling loads of 8,000 lbs. won't be a problem.

DURABILITY

Hour after hour. Day after day. Year after year. The solid steel wheels, rollers and heavy hydraulic pump withstand the most demanding applications.

SPECIFICATIONS:

C811LY00-000

- » Capacity: 8,000 lbs
- » Fork Length: 48 inches
- » Frame Width: 27.00 inches
- » Fork Width: 7.00 inches
- » Low Height: 3.25 inches
- » Raised Height: 7.75 inches
- » Wheel Diameter: 7.00 inches
- » Wheel Type: Steel
- » Roller Diameter: 3.00 inches
- » Roller Type: Steel
- » Weight: 285 lbs



Solid steel wheels and rollers



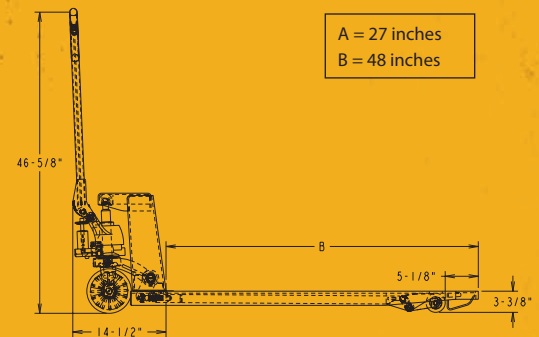
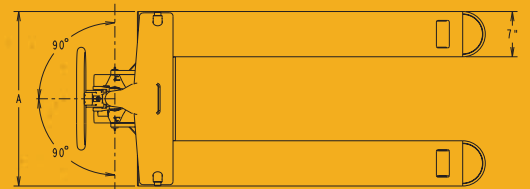
Ergonomic loop handle



Heavy duty hydraulic pump



Durable powder coat finish



LIFT-RITE
KEEPS YOU MOVING

©2016 Lift-Rite
PO Box 130, Greene, NY 13778-0130
www.liftrite.com | Toll free 1-800-558-6012

Due to continuous product improvement, specifications are subject to change without notice or obligation. Some systems and features shown are optional at extra cost. Lift-Rite is a U.S. trademark of Lift-Rite.