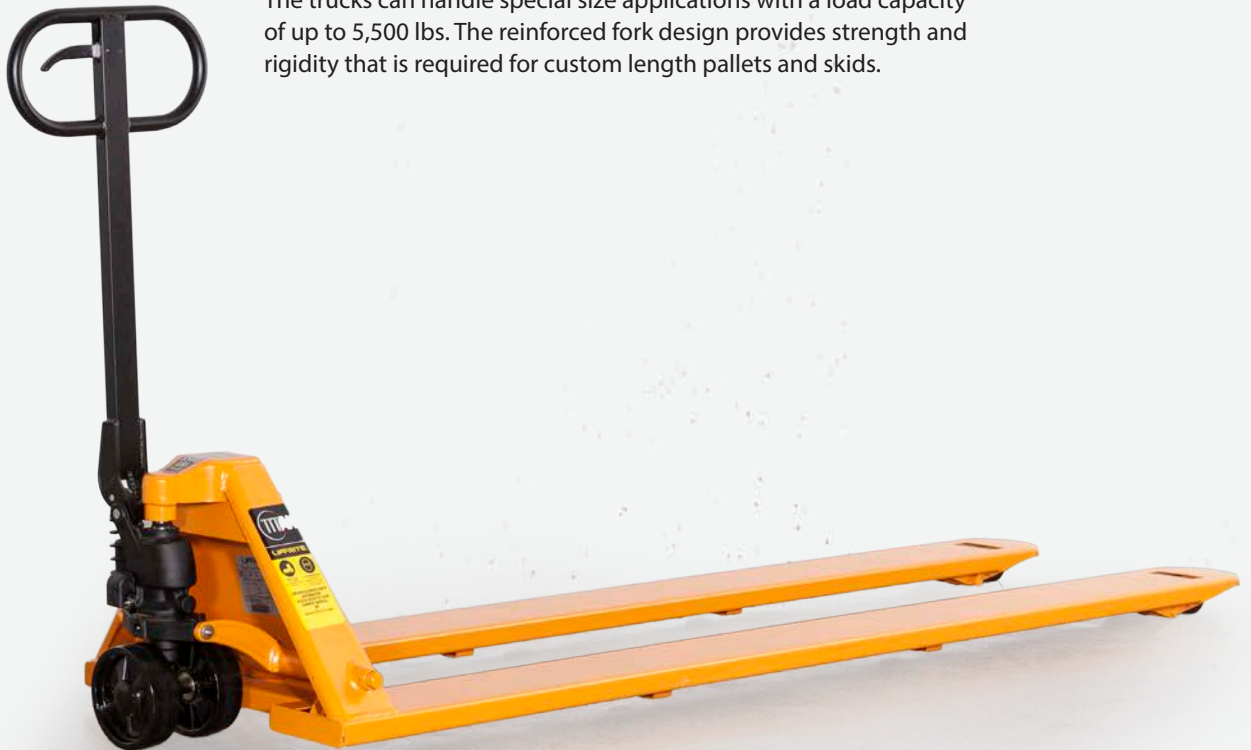


UNIQUE SIZE

HAND PALLET TRUCK

FEAR NO TASK

The Unique Sizes (C5) series truck is just as special as it is powerful. The trucks can handle special size applications with a load capacity of up to 5,500 lbs. The reinforced fork design provides strength and rigidity that is required for custom length pallets and skids.



LIFFRITE
KEEPS YOU MOVING

UNIQUE SIZE

HAND PALLET TRUCK

FOR ORDERS OR INQUIRIES CALL 1.800.558.6012 OR EMAIL HPTORDERS@LIFTRITE.COM

FEATURES

- » Reinforced fork design provides strength and rigidity for custom length pallets/skids
- » Solid nylon wheels and rollers make it virtually indestructible
- » The one-piece cast hydraulic provides maintenance-free performance and superior lowering control of larger/heavy loads.
- » A durable powder-coating keeps it looking brand new.

FLEXIBILITY

The Unique Sizes (C5) comes in a variety of fork lengths, frame widths and load capacities, helping you keep on the move.



High quality non-marking wheels and rollers



Ergonomic loop handle



One-piece leak-proof cast hydraulic pump



Durable powder coat paint finish

STANDARD SPECIFICATIONS:

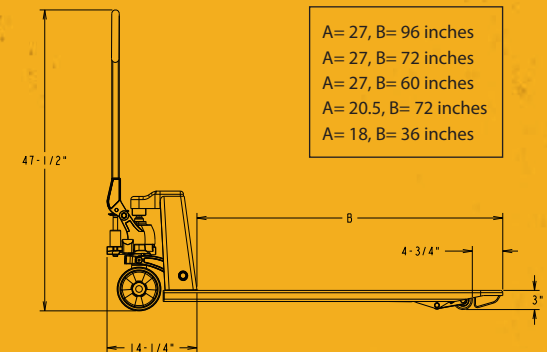
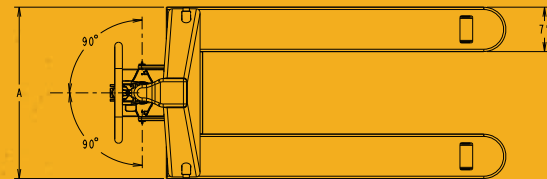
- » Capacity: 5,500 lbs
- » Low Height: 3.00 inches
- » Raised Height: 7.75 inches
- » Wheel Diameter: 7.00 inches
- » Wheel Type: Nylon
- » Roller Diameter: 3.00 inches
- » Roller Type: Nylon

OPTIONS:

C51LLY00-000	C52JLY00-000
» Fork Length: 96 inches	» Fork Length: 72 inches
» Frame Width: 27.00 inches	» Frame Width: 20.50 inches
» Fork Width: 7.00 inches	» Fork Width: 7.00 inches
» Weight: 325 lbs	» Weight: 225 lbs

C5IJLY00-000	C5C3LY00-000
» Fork Length: 72 inches	» Fork Length: 36 inches
» Frame Width: 27.00 inches	» Frame Width: 18.00 inches
» Fork Width: 7.00 inches	» Fork Width: 6.00 inches
» Weight: 250 lbs	» Weight: 140 lbs

C51HLY00-000
» Fork Length: 60 inches
» Frame Width: 27.00 inches
» Fork Width: 7.00 inches
» Weight: 225 lbs



LIFT-RITE
KEEPS YOU MOVING

©2016 Lift-Rite
PO Box 130, Greene, NY 13778-0130
www.liftrite.com | Toll free 1-800-558-6012

Due to continuous product improvement, specifications are subject to change without notice or obligation. Some systems and features shown are optional at extra cost. Lift-Rite is a U.S. trademark of Lift-Rite.